

The **220/CL 600A** automatic pneumatic bollards are the products with the best quality/price ratio of the PILOMAT range. The current models are the result of the development of more than 15 years of experience.

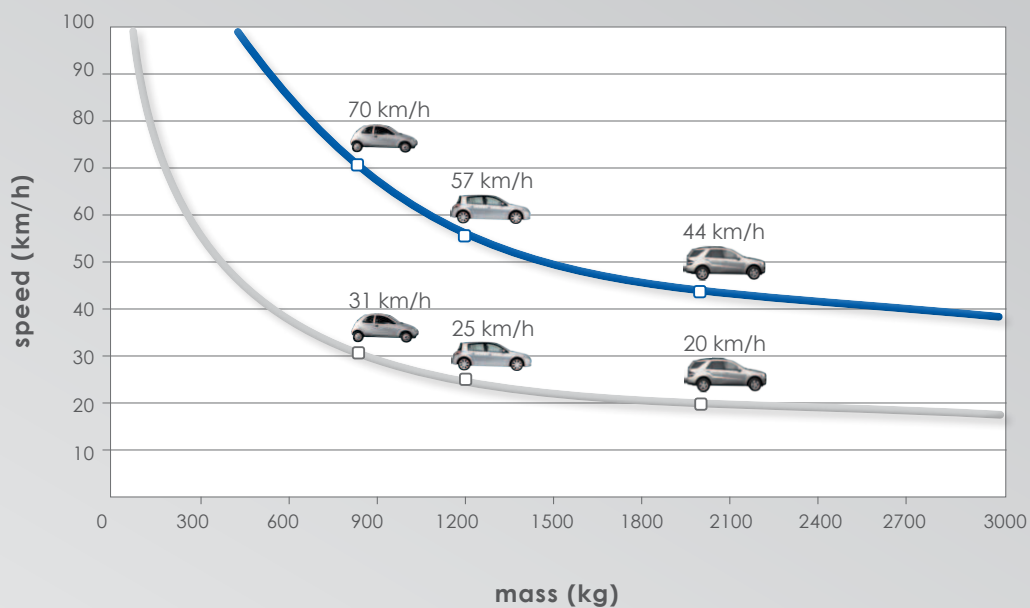
GENERAL FEATURES


- **the cost of the product:** made with industrial criteria of 500 units per batch, optimising production costs while offering a high-quality technology;
- **air compressor in the control unit:** to promote a greater speed of service;
- **patented system for the protection of handling:** to maximise the reliability of operations due to impact by vehicles on the cylinder that is put in motion;
- **wide range of optional configurations:** custom colours, flashing lights integrated in the head, intermittent acoustic signal, solenoid valve No. 220 (in case of power failure, PILOMAT is lowered, releasing the gate), UPS unit for operation in the temporary occurrence of power failure, equipment control, equipment accident prevention (see accessories and optional items).

RECOMMENDED USES

Pedestrian Areas - Private Car Parks – Parking Company
 Private Driveways – Driveway Businesses – Commercial Driveways

MOVING CYLINDER	FE 370 STEEL (IRON) – AISI 304 STAINLESS STEEL
MOVING CYLINDER NOMINAL DIAMETER	220 mm
MOVING CYLINDER HEIGHT	600 mm
MOVING CYLINDER FE 370 STEEL THICKNESS	4 mm
MOVING CYLINDER STAINLESS STEEL THICKNESS	AISI 304 :4 mm
MOVING CYLINDER FE 370 STEEL FINISH	POLYESTER POWDER PAINT – STANDARD GREY ANTHRACITE
MOVING CYLINDER STAINLESS STEEL FINISH	AS ABOVE, OR BRUSHED
REFLECTING ADHESIVE STRIP	YES - HEIGHT 55 mm
RISING SPEED	7 cm/sec
LOWERING SPEED	20 cm/sec
AUTOMATIC EMERGENCY LOWERING	YES
SAFETY REVERSAL PRESSURE SWITCH	YES
CONNECTION LINE TO CONTROL UNIT	STANDARD 10 m (MAXIMUM LENGTH: 20 m)
PNEUMATIC COMPRESSOR HANDLING	IN THE CONTROL UNIT
PNEUMATIC SOLENOID VALVE	BUILT-IN INTO THE PILOMAT
PROTECTION CLASS	IP 67
TYPE OF USE	INTERMITTENT (300 OPERATIONS/DAY +/- 10%)
IMPACT RESISTANCE (WITHOUT DEFORMATION)	30.000 J
BREAKOUT RESISTANCE	150.000 J
OPERATING TEMPERATURE	- 10°C + 60°C
NOMINAL PILOMAT WEIGHT (WITHOUT PIT)	65 kg
NOMINAL WEIGHT OF STANDARD PIT, WITH COUNTER-FRAME AND BRACKETS	34 kg

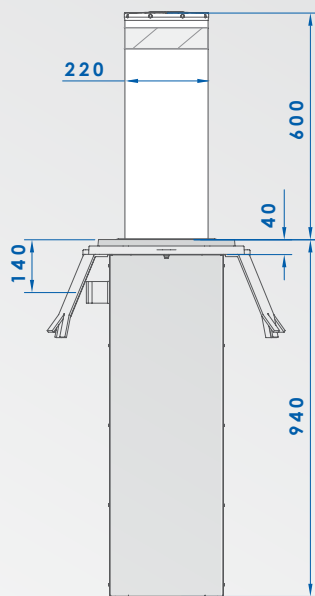


BREAKOUT RESISTANCE 150.000 J

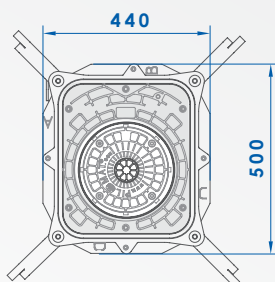
IMPACT RESISTANCE 30.000 J



MAIN DIMENSIONS



220/CL 600A



OPTIONAL ITEMS



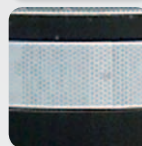
INTEGRATED FLASHING LIGHT IN THE HEAD



RAL PAINTING ON REQUEST



ANONYMOUS HEAD



NEUTRAL REFRACTED STRIP

BUZZER ACOUSTIC SIGNAL DURING THE MOVEMENT

STATUS CONTACT FOR TRAFFIC LIGHT MANAGEMENT